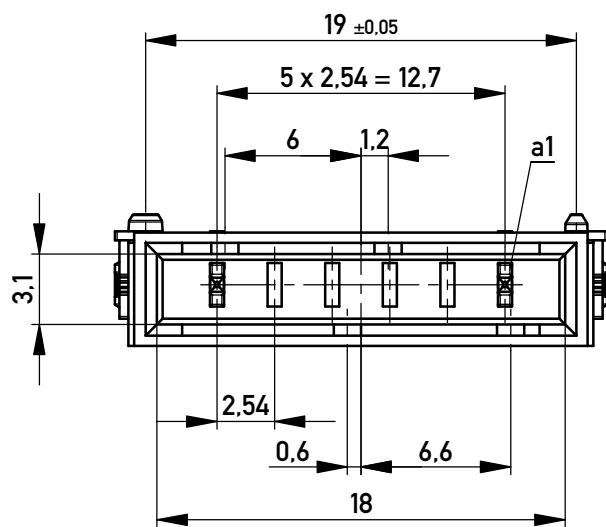
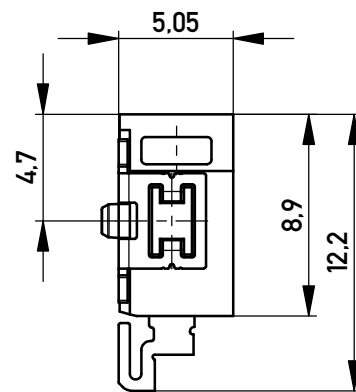
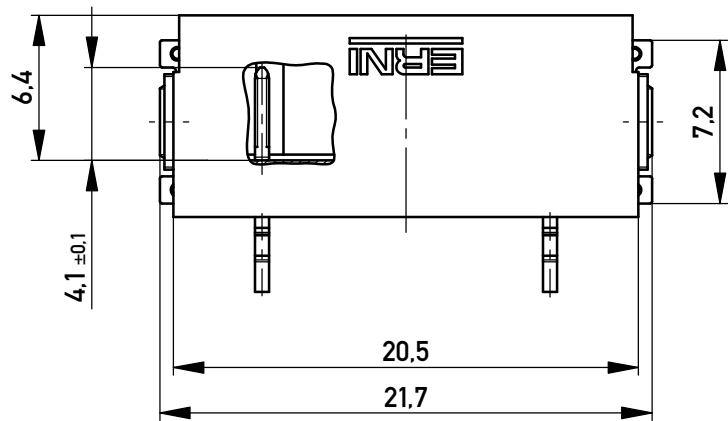
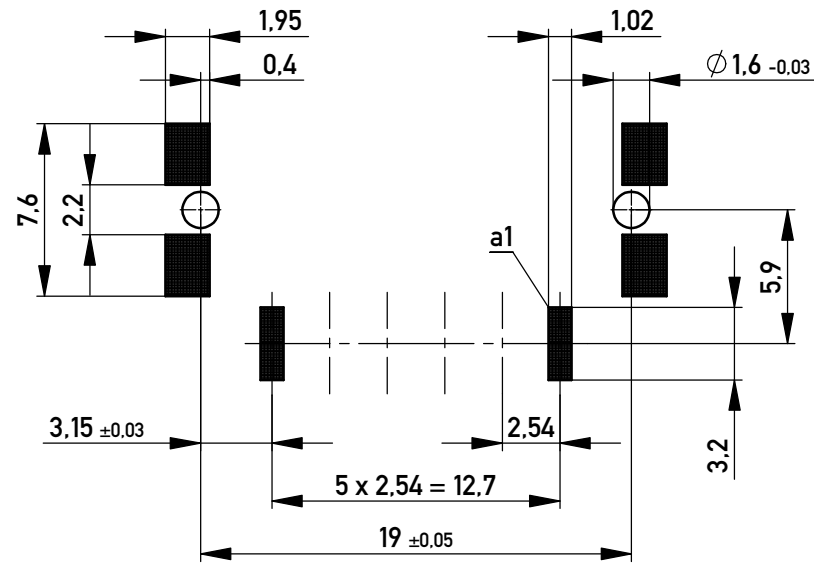


Leiterplatten-Layout Vorschlag für SMT
PCB-Layout Proposal for SMT



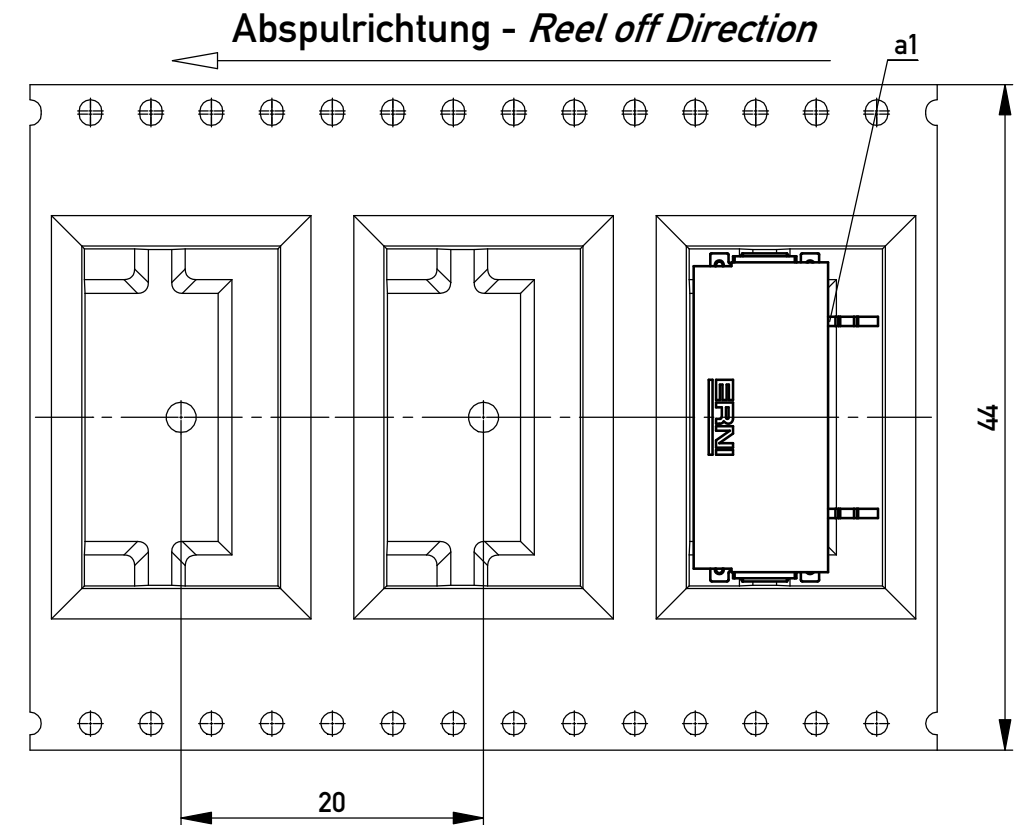
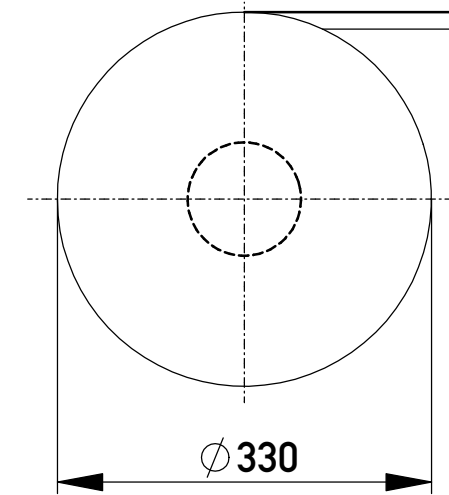
Anforderungsstufe 1
Performance Level 1


Kontaktbereich vergoldet
Mating Area gold plating

Anschlussbereich verzinkt 4-6 μm
Terminal Area 4-6 μm tin plating

Koplanarität der Anschlüsse $\leq 0,1$ mm
Coplanarity Area of Termination $\leq 0,1$ mm

Verpackt im Gurt in Anlehnung an DIN IEC 60286-3
Tape on Reel Packaging according to DIN IEC 60286-3
Verpackungseinheit: 440 Stück
Packaging unit: 440 pcs



<p>Information: Codierung weiß - coding white Pos.: 2, 3, 4, 5 unbestückt - not assembled</p> <p>All rights reserved. Only for Information. To ensure that this is the latest version of this drawing, please contact one of the ERNI companies before using.</p> <p>Copyright by ERNI Production GmbH & Co. KG Proprietary notice pursuant to ISO 16016 to be observed.</p>	<p>Tolerances</p> <p>All Dimensions in mm</p>	Scale	3:1
		<p>Designation</p> <p>M 2,54 SRC-A 6/2-polig</p>	
<p>Subject to modification without prior notice. Drawing will not be updated.</p> <p> www.ERNI.com</p>		<p>102003880001</p>	
		Class	SRCA
Index	Date		

K
A3